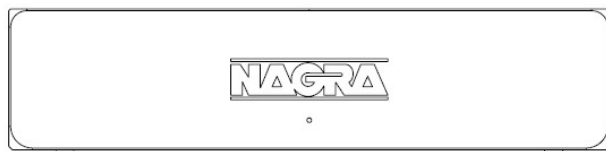




Nagra Compact PHONO



USER MANUAL

Safety warnings

- Read this manual carefully before operating your new device.
- Should you have any questions on how to setup or use your Compact PHONO, please contact your Nagra dealer.
- Audio Technology Switzerland SA declines any responsibility in the event of an accident caused by the non-observance of these instructions or any other form of user negligence.
- The Compact PHONO is CLASS I equipment. It is essential that it its power supply is connected to a MAINS socket outlet with a protective earthing connection.
- The Compact PHONO must not be exposed to dripping or splashing liquids and no objects filled with liquids, such as vases, should be placed on it.
- Never try to open your Compact PHONO to prevent the risk of electric shock and burns. Only Nagra dealers & qualified technicians are allowed to do it for maintenance.

Warranty

Audio Technology Switzerland SA certifies that this device has been inspected and tested before leaving the factory.

We guarantee our products against all manufacturing defects, for a period of three years for the Compact PHONO, running from the date of delivery to the customer (validated by the serial number on the device casing and the invoice from an official Nagra dealer). This warranty is only valid for the original purchaser of new equipment.

This limited warranty covers the repair and replacement of defective parts, excluding any other remedy.

The absence of a serial number invalidates the warranty.

We decline any responsibility for damages resulting directly or indirectly from the use of our products and from the use of any components or spare parts other than those designated as original / approved parts by Audio Technology Switzerland SA.

As we constantly strive to improve our products, we reserve the right to modify them or change their specifications without notice.

Congratulations

Congratulations, you have just acquired one of the best phono pre-amplifier ever made!

Since its inception in 1951, Nagra has built products that continue to earn a reputation for delivering ultimate sonic performance. Numerous awards have been bestowed upon Nagra for its technical innovation, excellence in design and flawless construction including two Oscars® and two Emmys®.

The professional and Hi-Fi ranges are both designed by our Research and Development department. Nagra has launched a Hi-Fi range to allow the wider public to benefit from technical advances that are often the sole privilege of professionals.

The Nagra Compact PHONO is derived from the prestigious Nagra IV-S reel to reel recorder microphone preamplifiers. It uses custom hand-made transformers that are wound at Nagra factory in Switzerland. The transistors are military grade and individually selected to meet our Laboratory exacting specifications.

This technology exists in the service of music, your music. We wish you great moments of listening pleasure with your new Nagra.

Thank you for your trust.

Package contents

The package of your new PHONO includes the following parts:

- One (1) Nagra Compact PHONO device
- One (1) user manual
- One (1) power supply and power cord*
- One (1) 100 Ω load on a mini-XLR plug

* Depending on your country, the power cord features either a US, European or Swiss plug.

Please contact your Nagra dealer should anything be missing.

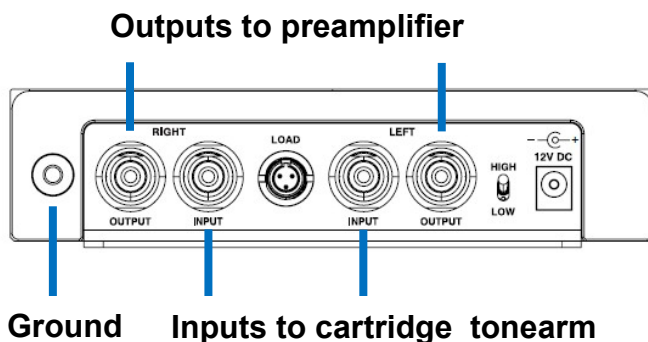
Installation of the Nagra Compact PHONO

Choosing a location

The Compact PHONO is designed exclusively for indoor use in a moderate climate.

As with most phono stages, keep it as close to the turntable as possible and away from power supplies.

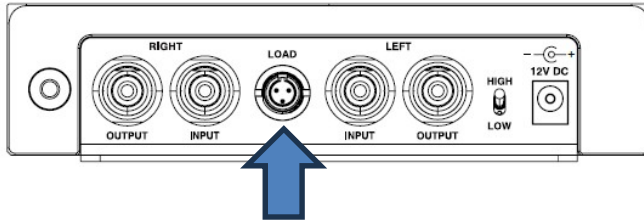
Connecting your turntable & preamplifier



Make sure to connect the Ground connector to your turntable / tonearm.

Then connect the Left and Right RCA outputs to your line preamplifier.

Connecting the load

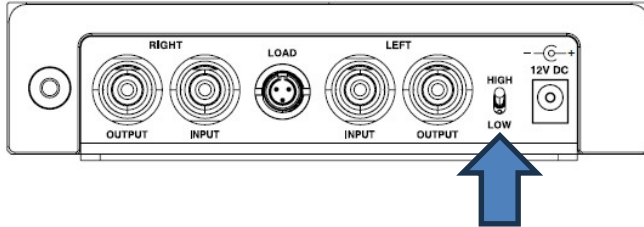


Your Nagra Compact PHONO is delivered with a 100 Ω load. This is an average value that will work with most cartridges on the market.

Should you need a different value, please contact your Nagra dealer who has a kit with several options to match your cartridge.

The load should be inserted prior to using the PHONO stage. If you wish to change the load while the unit is on, make sure to MUTE your preamplifier to avoid damages or loud sounds.

Selectable gain value



The Nagra Compact PHONO is designed for MC cartridges exclusively. Its gain can be adjusted to match your cartridge's output level.

You can change the gain while the unit is on, but always MUTE your preamplifier to avoid damages or loud sound.

Position	Gain	Cartridge output level
HIGH	62 dB	< 0.7 mV
LOW	47.5 dB	> 0.7 mV

This is only a recommendation, you can try both and see what works best in your set-up.

Getting the most of your Nagra Compact PHONO

The Nagra Compact PHONO chassis is milled from a solid billet of aluminum. Its lower metal sheet is damped with 3M proprietary damping tapes. The result is that the unit is well protected from inner vibrations or resonance. However you can further improve its performance by using an external vibration control unit such as the Nagra VFS (Vibration Free Control).

The Nagra Compact VFS is also available and designed specifically for the Compact range.

Connection to the Mains

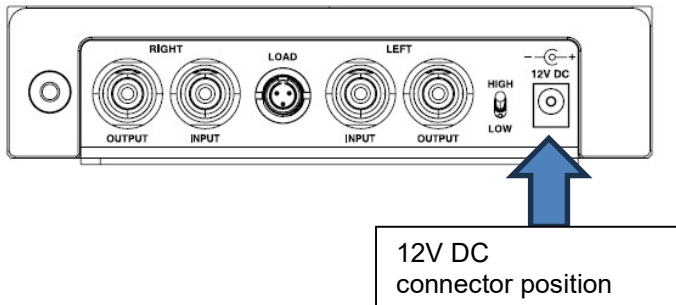
Mute your preamplifier or make sure the **volume is down to the minimum** to avoid pop or noise when you switch the Phono on.

Once all the audio connections are made, you can power the unit with the provided power supply.

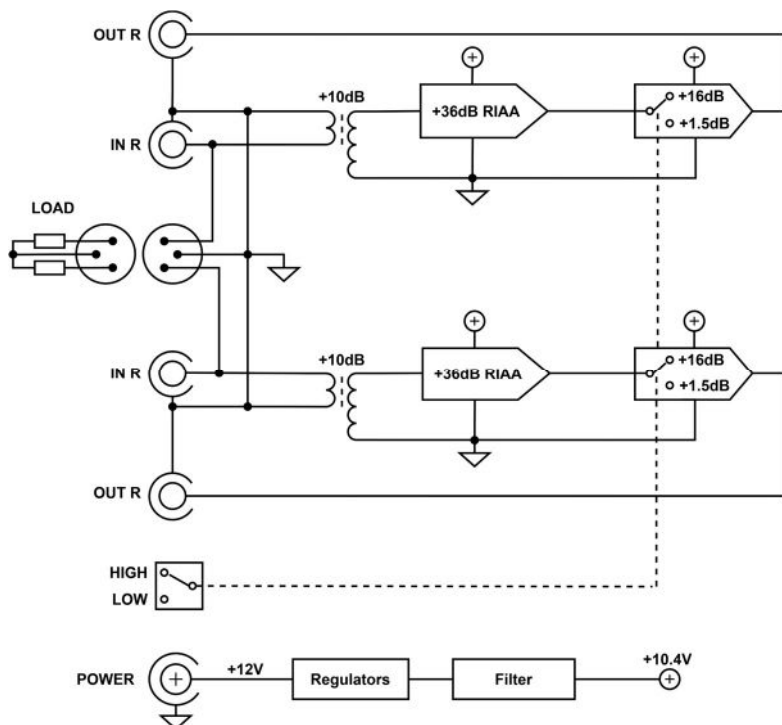
To improve the overall performance of your Compact PHONO and your set-up, you can purchase a Nagra Lemo to DC cable and connect the Compact PHONO to either:

- Nagra ACPS III
- Nagra MPS
- Nagra Classic PSU

The Classic PSU will provide the best performance.



Synoptic



Case cleaning

Clean the Compact PHONO chassis by using a soft, lint-free, slightly damp cloth. Do not use any cleaning products that could have a corrosive effect.

TECHNICAL SPECIFICATIONS

Cartridge type	MC	
Input stage	Hand-wound Nagra transformer 10 dB gain	
Connections	RCA inputs and outputs	
Gain	LOW 47.5 dB HIGH 62 dB	
Frequency Response	20 – 50 kHz +/- 1 dB	RIAA curve
Signal to noise ratio	LOW > 80 dB HIGH > 72 dB	@ 100 Hz @ 100 Hz
THD+N	< 0.1%	@1KHz on Lab psu
Crosstalk	LOW > 85 dB HIGH > 73 dB	
Output impedance	LOW < 10 Ω HIGH < 25 Ω	
Powering	12V DC	
Power consumption	0.5 W	
Operating temperature	+15 °C to +35 °C +59 °F to +95 °F	Moderate climate
Overall dimensions W x D x H	185 x 166 x 41 mm	7.2 x 6.5 x 1.6 inches
Weight (net)	1.9 Kg	4.1 lb

Specifications may change without notice



Disposal of old electrical & electronic equipment (Applicable in the European Union and other European countries with separate collection systems).

This symbol on the product or on its packaging indicates that it should be handed over to the applicable collection point for the recycling of electrical and electronic equipment. By ensuring this product is disposed of correctly, you will help prevent potential negative consequences for the environment and human health. The recycling of materials will help to conserve natural resources. For more detailed information about recycling of this product, please contact your local authority, your household waste disposal service or the shop where you purchased the product.

Applicable to the following devices:
Nagra Compact PHONO and all the package contents