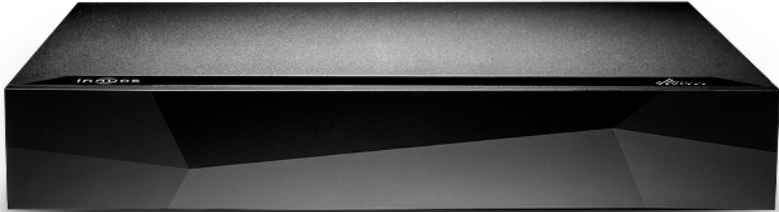


innuos



PULSAR

NETWORK MUSIC PLAYER

Quick Start Guide

Thank you for buying our PULSAR Network Music Player and welcome to the Innuos family!

This **Quick Start Guide** will show you how to get started with your new music player. For further details, troubleshooting and help with advanced setups, visit our support page at <https://innuos.com/support/>.

At **Innuos**, we appreciate your feedback. Once you download and start using our Sense app to play your music, we encourage you to register at our **Feedback Zone** at <https://feedback.innuos.com/> where you can help shape future software development by providing your thoughts and feature requests.

You can also join us on social media to keep informed about events, new features and products here:



[instagram.com/innuos](https://www.instagram.com/innuos)



twitter.com/innuos



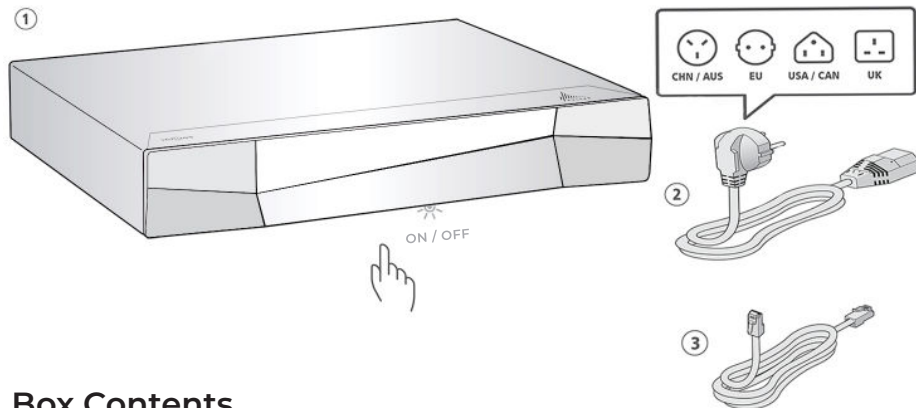
[youtube.com/innuos](https://www.youtube.com/innuos)



[facebook.com/innuos](https://www.facebook.com/innuos)

Enjoy the music,

The Innuos Team



Box Contents

1. Innuos **PULSAR** Network Music Player
2. Mains Power Cable
3. 2m Ethernet Cable

Turning the **PULSAR** ON/OFF

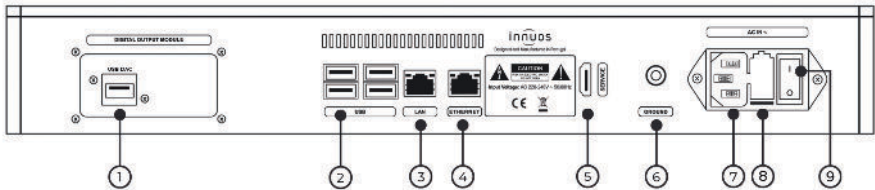
The **ON/OFF** button is located under the bottom edge at the centre of the front panel

To turn off the **PULSAR**, press the **ON/OFF** button once and wait **1 - 2** seconds to shutdown.

Do not hold **ON/OFF** button down.



PULSAR Rear Panel Diagram



- 1. Digital Output Module: USB Relocker to DAC
- 2. Auxiliary USB Ports (Backup and future use)
- 3. Network Input from Router / Switch
- 4. Auxiliary Ethernet Port (Ex: Nas)
- 5. HDMI Output (Service Only)
- 6. Ground Connection Port (Optional)
- 7. Mains Power Input
- 8. Fuse Holder
- 9. Mains Power Switch

To get started download the Innuos Sense app at the following stores:



You can also access your Innuos Sense app using a modern browser at the following address: my.innuos.com